



BRAKES

ENGINEERED SOLUTIONS

BES 10-04

Subject: Shudder While Braking

Vehicle Involved: 2005 – 2006 Dodge Dakota built on or before January 31, 2006

Condition: A vibration or shudder in the brake pedal when the brakes are applied at highway speeds.

Repair:

Replace both the rear brake shoes with part number AE922 and hardware with part number 3152, Refer to illustration 2, 3, and 4 for lubrication points and installation diagrams. Resurface the front brake rotors with an on-the-car lathe, and if necessary replace the axle shafts.

If the vehicle is equipped with an 8.25 in. rear axle (sales code DRA), the axles must have an "M" stamped into the flange as shown in (Fig. 1). If they do not have the "M" stamp, replace both axle shafts with Chrysler's p/n's 52114885AA and 52114886AA.

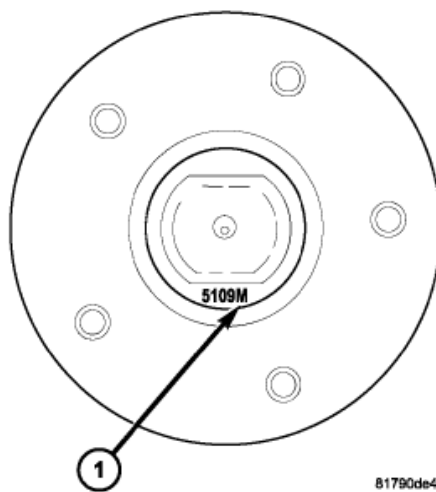
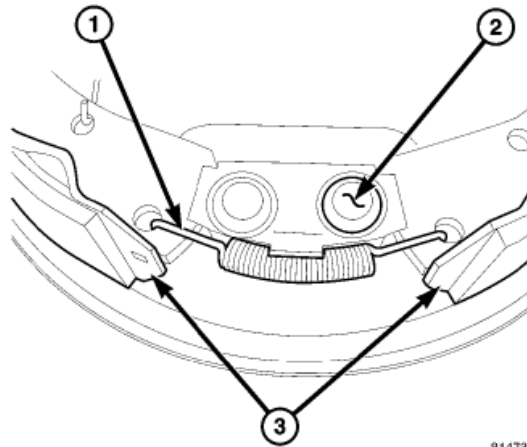


Fig. 1 AXLE IDENTIFICATION



BRAKES

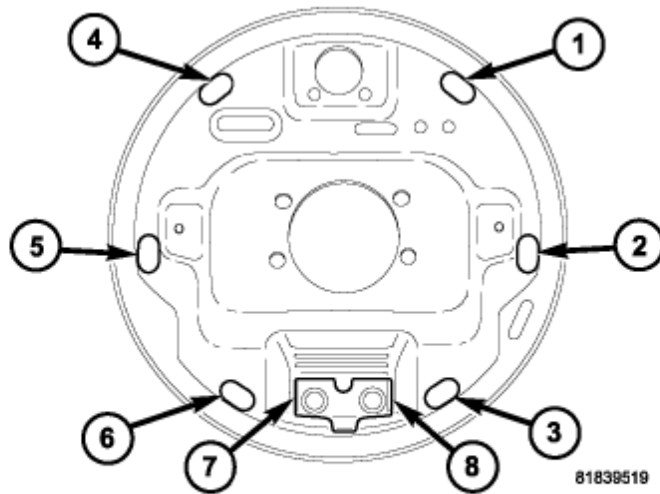
ENGINEERED SOLUTIONS



81473b6

Fig. 2 RETURN SPRING

- 1 - RETURN SPRING
- 2 - BACKING PLATE
- 3 - BRAKE SHOES



81839519

Fig. 3 BRAKE LUBRICANT APPLICATION POINTS

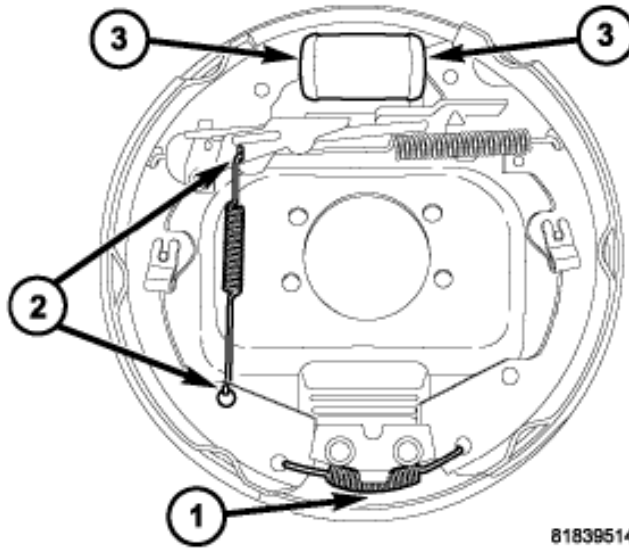


Fig. 4 COMPLETE BRAKE ASSEMBLY

- 1 - LOWER RETURN SPRING UNDER THE COVER PLATE TAB
- 2 - LEVER PAWL RETURN SPRING OVER LEVER PAWL AND UNDER SHOE

Apply High-Temp silicone grease between pistons and shoes