



BRAKES

ENGINEERED SOLUTIONS

Bulletin BES 07-17

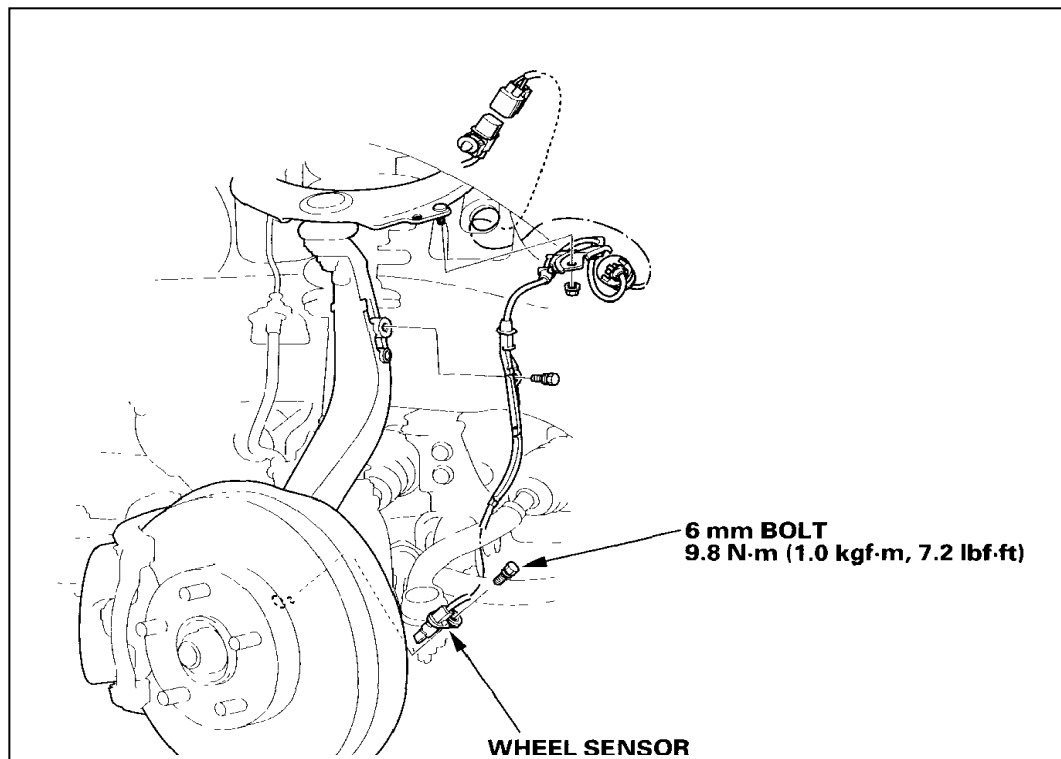
Subject: ABS DTC codes set after installing wheel bearings

Vehicle Involved: Honda Accord, Element - 2003, CR-V - 2002 – 03

Condition: After replacing wheel bearings DTC 12, 14, 16, 18, 21, 22, 23, 24 may be set.

Repair Procedure: When replacing wheel bearings on these vehicles, take note that the brown dust shield for the wheel bearing also doubles as a magnetic encoder (reluctor ring) for the ABS wheel speed sensors.

Make sure the encoder is clean and free of metallic particles when installing it. Be sure to install the shield so the encoder is toward the inside of the knuckle. Take care when handling the shield so you don't damage its surface.



Courtesy of Mitchell